

PROLINE 100™ Series HE Multi-Bag Filter Housing



The most competitively priced multi-bag filter housing Eaton has to offer

PROLINE 100 Series HE multi-bag filter housing with 8 filter bag capacity

Eaton's PROLINE 100 Series HE multi-bag filter housing offers the most cost-effective solution to multi-bag units requirements' for a wide variety of filtration applications where a code stamp is not needed.

This multi-bag filter housing is equipped with a proven and easy-to-use rugged eye-bolt cover closure. Units are available in 4, 6 and 8 filter bag configurations and come standard with filter bag size 02 stainless steel restrainer baskets.

Features

- 100 psi (6.9 bar), non-code bag filter housing, for a wide variety of filtration applications
- Low profile design with side inlet and tangential outlet provides easy and full drainage and reduces housing height to make filter bag change-outs easier. No need for ladders, stools or catwalks

- Positive O-ring sealing provides bypass-free, safe filtration while the unique 3-point hold down ensures a high-quality seal between each filter bag and the housing body
- A counter-balanced, spring-assisted cover lifting mechanism allows for quick and easy opening of even large covers by one person
- 304 stainless steel construction with bead-blast, external finish
- 150# RF flanged inlet and outlet ports for side inlet and tangential outlet configuration
- Heavy-duty stainless steel mounting legs are included

Options

- Available as in-line or loop piping configuration (shown)
- Buna-N® O-rings for the cover are standard. EPDM, Viton®, PTFE encapsulated Viton or silicone rubber seals and gaskets are available

Viton® is a registered trademark of E. I. du Pont de Nemours and company

Quick & Discounted Pricing

Click Here

Or Call 908.362.9981

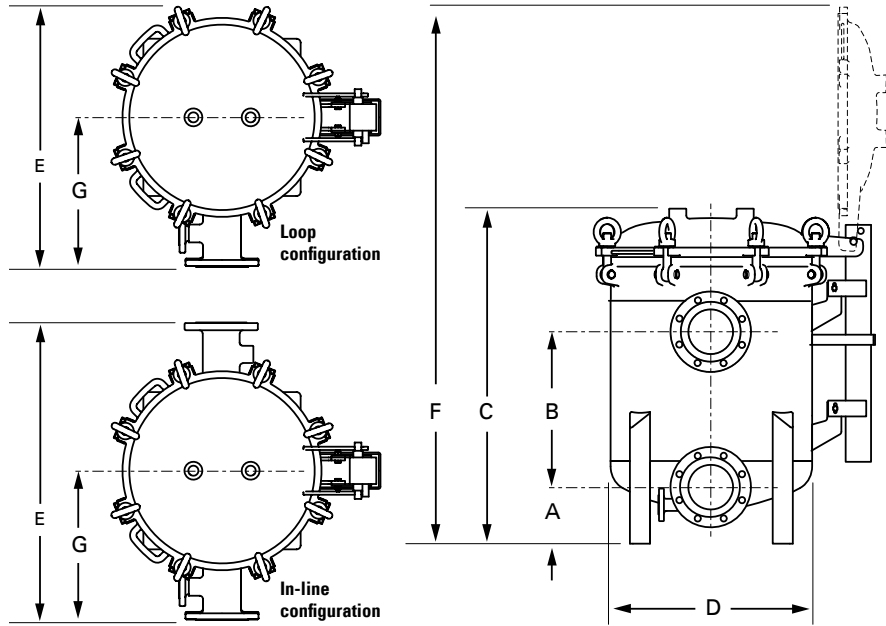
PROLINE 100 Series HE multi-bag filter housing with 4 bag capacity



PROLINE 100 Series HE Multi-Bag Filter Housing

Applications

Coarse filtration > 500 µm	✓
Medium filtration > 10 µm	✓
Fine filtration < 10 µm	✓
<hr/>	
Pre-filtration	✓
Safety filtration	✓
High volume	✓
Batch filtration	✓
Circuit filtration	✓
Continuous filtration	
<hr/>	
Solvents, paints	✓
Fats and oils	✓
Catalyst, activated carbon	
Acids, bases	✓
Petrochemicals	✓
Water, waste water	✓
Chemical industry	✓
Pharmaceuticals	
Metal cleaning	✓
Automotive	✓
Electronics	
Food and beverage	
Paint and lacquer	✓
Water treatment	✓
Galvanic industry	



Dimensions - inch (mm)

Model	A	B	C	D	E	F	G
PMBF-0402-BB07-040A-NT-11HE	10.00 (254)	20.75 (527)	46.44 (1180)	22.00 (559)	35.50 (901)	71.19 (1808)	17.75 (451)
PMBF-0402-BB07-040A-NT-11HE-L	10.00 (254)	20.75 (527)	46.44 (1180)	22.00 (559)	30.88 (784)	71.19 (1808)	17.75 (451)
PMBF-0602-BB07-060A-NT-11HE	7.88 (200)	20.81 (529)	48.00 (1219)	31.50 (800)	47.00 (1,194)	79.00 (2007)	23.50 (597)
PMBF-0602-BB07-060A-NT-11HE-L	7.88 (200)	20.81 (529)	48.00 (1219)	31.50 (800)	42.75 (1,085)	79.00 (2007)	23.50 (597)
PMBF-0802-BB07-060A-NT-11HE	7.88 (200)	20.81 (529)	48.00 (1219)	31.50 (800)	47.00 (1,194)	79.00 (2007)	23.50 (597)
PMBF-0802-BB07-060A-NT-11HE-L	7.88 (200)	20.81 (529)	48.00 (1219)	31.50 (800)	42.75 (1,085)	79.00 (2007)	23.50 (597)

Dimensions for reference only and approximate. Exact dimensions for installation purposes available on request.

Technical data

Models	No. of filter bags	Size	Flow rate ¹ GPM (m ³ /h)	Max. pressure psi (bar)	Max. temp. °F (°C)	Housing volume gal (l)	Housing weight lb (kg)	I/O connections
PMBF-0402-BB07-040A-NT-11HE	4	2	400 (91)	100 (6)	176 (80)	56 (212)	397 (180)	4" in-line
PMBF-0402-BB07-040A-NT-11HE-L	4	2	400 (91)	100 (6)	176 (80)	56 (212)	397 (180)	4" loop
PMBF-0602-BB07-060A-NT-11HE	6	2	900 (204)	100 (6)	176 (80)	120 (454)	632 (286)	6" in-line
PMBF-0602-BB07-060A-NT-11HE-L	6	2	900 (204)	100 (6)	176 (80)	120 (454)	632 (286)	6" loop
PMBF-0802-BB07-060A-NT-11HE	8	2	900 (204)	100 (6)	176 (80)	120 (454)	652 (296)	6" in-line
PMBF-0802-BB07-060A-NT-11HE-L	8	2	900 (204)	100 (6)	176 (80)	120 (454)	652 (296)	6" loop

¹ Maximum theoretical flow based on water viscosity, filter bag specific.

Quick & Discounted Pricing
[Click Here](#)
 Or Call 908.362.9981