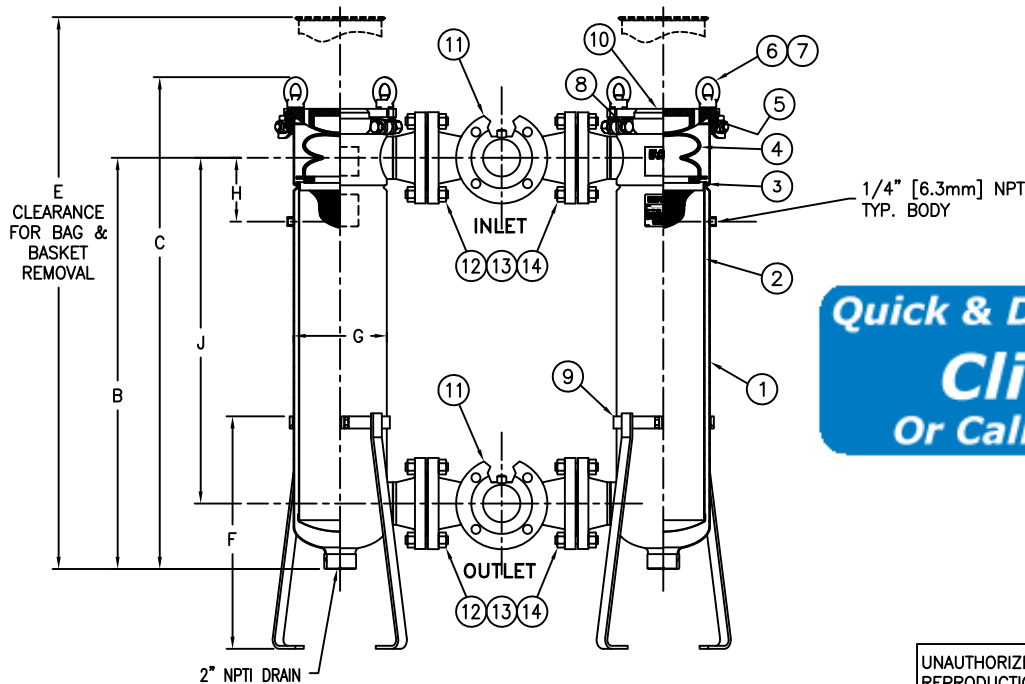
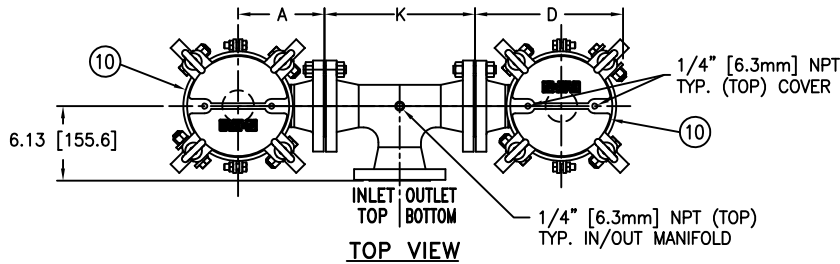
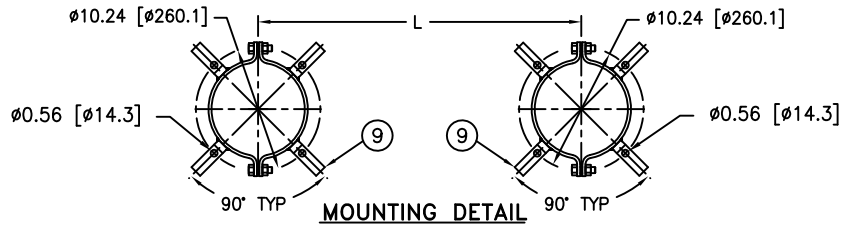


ITEM NUMBER	BAG SIZE	A IN. / MM	B IN. / MM	C IN. / MM	D IN. / MM	E IN. / MM	F IN. / MM	G IN. / MM	H IN. / MM	J IN. / MM	K IN. / MM	L IN. / MM	FLOW RATE GPM (MAX)	WEIGHT LBS / KGS
F3AVFB20510	O2	7.09 / 180	33.78 / 858	40.41 / 1026	12.16 / 309	66.50 / 1689	19.10 / 485	7.68 / 195	5.25 / 133	28.40 / 721	12.38 / 314	26.56 / 675	220	250 / 113.4

REV	DATE	CHANGE	ECR	BY	APP
A	07/25/11	NEW ISSUE	0059013	FJM	FM



NO.	PART NAME	MATERIAL
1	BODY	CARBON STEEL
2	RESTRAINER BASKET	316 STAINLESS STEEL
3	BASKET O-RING	EPDM
4	BAG HOLD DOWN	KYNAR PVDF
5	O-RING	EPDM
6	EYE BOLT	STEEL, ZINC PLATED
7	EYE NUT	STEEL, ZINC PLATED
8	BOLT	STEEL, ZINC PLATED
9	LEGS	CARBON STEEL
10	COVER	CARBON STEEL
11	INLET/OUTLET MANIFOLDS	CARBON STEEL
12	MANIFOLD STUDS	SA193-B7 ZINC PLATED
13	MANIFOLD NUTS	SA194-2H ZINC PLATED
14	MANIFOLD GASKET	BLUEGARD 3000

NOTES:

- VESSEL & MANIFOLD INLET/OUTLET 3" 150# CONNECTIONS PER ANSI B16.5
- MAWP: 150 PSI @ 250° F (10.3 BAR @ 121.1° C) MDMT: -20° F @ 150 PSI (-28.9° C @ 10.3 BAR)
- PAINT CSTL PER EATON STD ES-301

Quick & Discounted Pricing
[Click Here](#)
 Or Call 908.362.9981

CERTIFIED FOR:
 P.O. NO.:
 SALES ORDER NO.:
 QUOTE NO.:
 QUANTITY:
 VESSEL CODE: DFBF2-0102-CS10-030A-S0

EATON	EATON FILTRATION, LLC	
	70 WOOD AVENUE SOUTH, ISELIN, NEW JERSEY 08830	
NAME: FLOWLINE II (DFBF2) DUPLEX ASSEMBLY 3" 150#RF FLANGED CONNECTION CARBON STEEL W/MANIFOLDS		
DRAWN FJM	DATE 07/20/11	CERT. LH DATE 07/20/11
SIZE A	DWG NO I-09130	REV A

UNAUTHORIZED USE, MANUFACTURE OR REPRODUCTION IN WHOLE OR IN PART IS PROHIBITED. DRAWING, DESIGN AND OTHER DISCLOSURES PROPERTY OF EATON FILTRATION, LLC

ELECTRONIC FILE NAME: I-09130.DWG
 REF. ECR 0059013 DATE 07/20/11